

# STONEHENGE



A classic loose fit and neutral colors, Stonehenge is the perfect piece for a timeless fall wardrobe. Our ECHOS yarns are arranged in geometric fashion for a touch of modern.



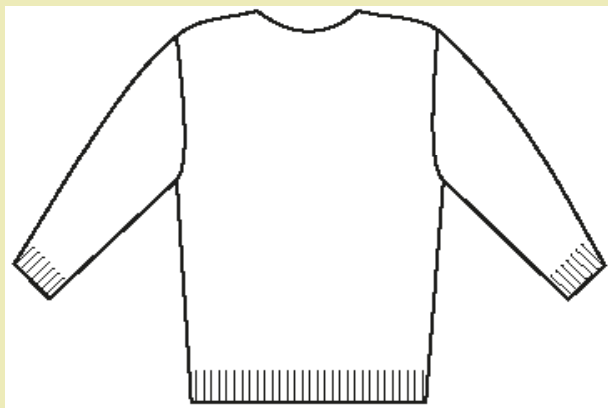
**Yarn:** ECHOS col. 207 cream, col. 229 yellow, col. 884 blue.

**Needles:** n. 7

**Weight:** 680 g/ 24 in. (12 balls col. white, 1 ball col. blu, 1 ball col. yellow)

**Size:** M

**Stitches used:** 1x1 Rib, Stockinette Stitch, Duplicate Stitch Embroidery.



**Gauge:** 10 cm x 10 cm (4 inc. x 4 inc.) = 12 stitches and 16 rows.

**Size M:** for each bigger or smaller size calculate in width 2 cm (0.75 inc.) more or less, in our gauge it corresponds to 2 stitches; calculate in height 2 cm (0.75 inc.) more or less, in our gauge it corresponds to 3 rows.

# STONEHENGE



## KNITTING THE BACK

Using needles n. 7 and col. white, cast on 73 stitches and work in **1x1 Rib**.

At a total height of 8 cm (3,15 in.), start working in **Stockinette Stitch**, decreasing 4 stitches while making the first row.

After 6 rows in **Stockinette Stitch** in col. white, make 2 rows in col. blue, then 6 rows in col. white and 4 rows in col. yellow.

Simultaneously, at a total height of 11 cm (4,33 in.), start increasing at sides 1 stitch every 8 rows 5 times. At a total height of 35 cm (13,78 in.), for the armhole, bind off at sides, inside the first and last stitch, 2 stitches every 2 rows twice.

Once completed the decreases in col. white, make 2 rows in col. yellow, then 4 rows in col. white, 4 rows in col. blue and continue in col. white.

At a total height of 56 cm (22,04 in.) bind off all stitches.

## KNITTING THE FRONT

Work as for the back, up to a total height of 46 cm (18,11 in.); after the last 4 rows in col. blue for the armhole, make 4 rows in col. white.

Then, for the neckline, bind off the 15 central stitches and continue the two parts separately, decreasing at sides of neckline, every 2 rows, 2 stitches once and 1 stitch 4 times.

At a total height of 56 cm (22,04 in.), for the shoulders, bind off the remaining stitches of each shoulder.



# STONEHENGE



## SLEEVES

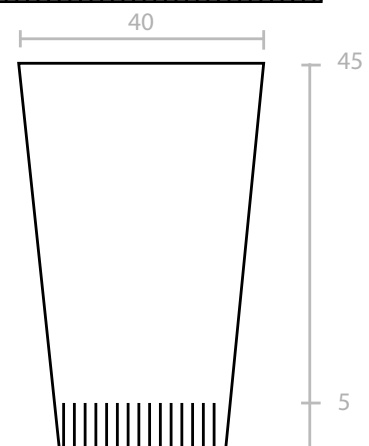
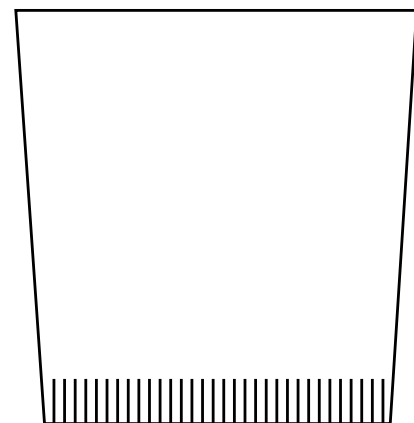
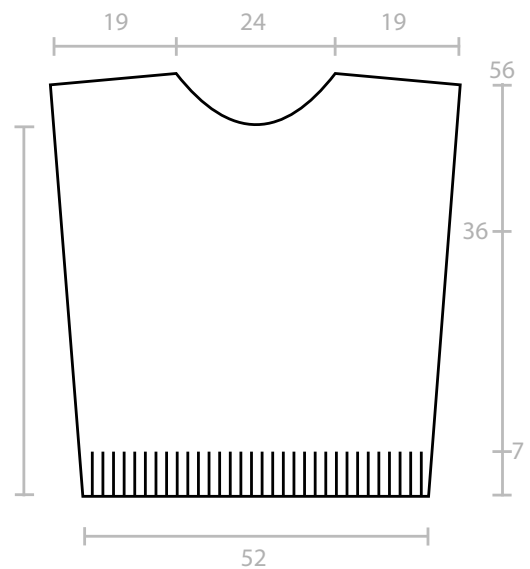
Using needle n. 7 and col. white, cast on 29 stitches and work in **1x1 Rib** for 8 rows, then work in **Stockinette Stitch**.

At a total height of 12 cm (4,72 in.), start increasing at sides 1 stitch every 10 rows twice, 1 stitch every 4 rows 3 times, 1 stitch every 6 rows once, then 1 stitch every 4 rows 3 times.

Simultaneously, for the left sleeve: at a total height of 16 cm (6,30 in.), make 2 rows in col. blue, then 16 rows in col. white and 2 rows in col. yellow, continue in col. white.

For the right sleeve, at a total height of 16 cm (6,30 in.), make 2 rows in col. yellow, then 16 rows in col. white and 2 rows in col. blue, continue in col white.

At a total height of 45 cm (17,72 in.), bind off all stitches.



## FINISHING

For embroidery (**Duplicate Stitch**) on the front, with col. blue make a vertical line on the 8th stitch from left, after the edge in **1x1 Rib** and up to shoulder; with col. yellow make a vertical line on the 15th stitch from right, after the edge in 1x1 Rib and up to shoulder.

The back has no embroidery.

On the right sleeve, make a vertical line with col. yellow on the 10th stitch from right, after the edge in 1x1 Rib up to the intersection with col. blue.

On the left sleeve, make a vertical line with col. blue on the 10th stitch from left, after the edge in **1x1 Rib** up to the intersection with col. yellow.

Sew the right shoulder. For the collar, pick up the stitches of front and back neckline and work in **1x1 Rib** for 4 rows, then bind off all stitches.

Sew the side of collar and then the left shoulder.

Sew hips, underarms and apply the sleeves.